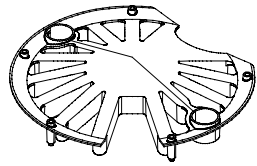
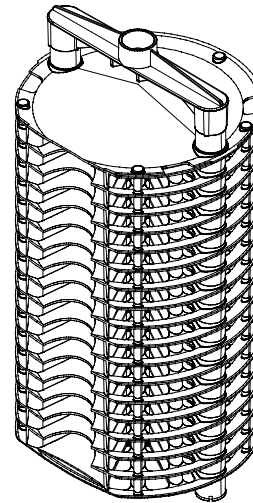


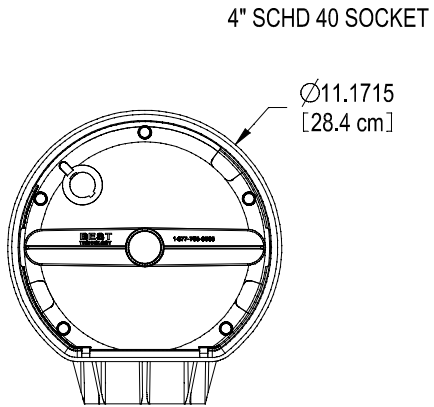
FILTER PLATE  
5.8 FT. (1.77 METERS)  
OF FILTRATION  
PER FILTER PLATE



SOCKET IN HANDLE ACCEPTS  
1" SCHD. 40 PIPE.



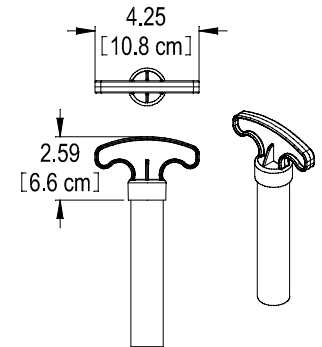
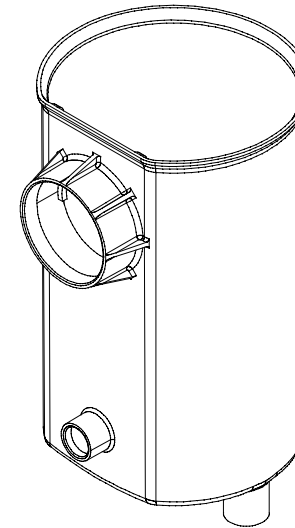
**BEST TECHNOLOGY**  
**10" FILTER CASE AND CARTRIDGE**  
PART NO'S. GF10-8  
GF10-16  
GF10-32



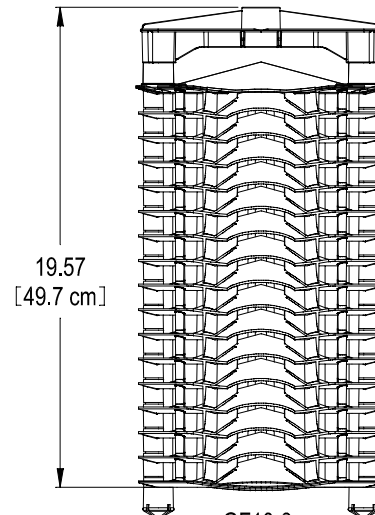
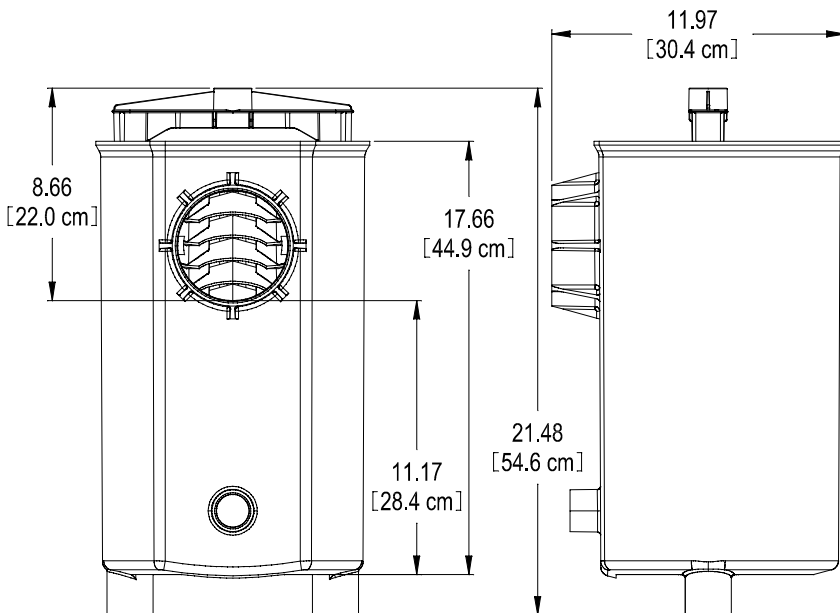
4" SCHD 40 SOCKET

Ø11.1715  
[28.4 cm]

OPTIONAL WALL SUPPORT  
1" SCHD 40 SOCKET

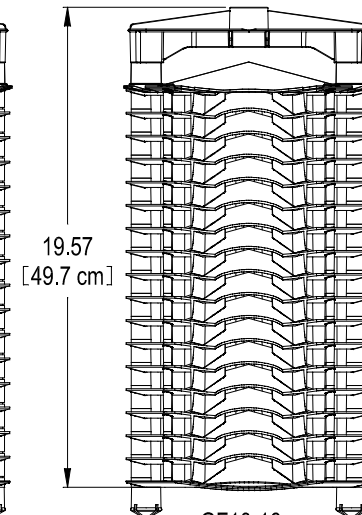


OPTIONAL HANDLE EXTENSION  
AVAILABLE FOR 1" SCHD 40 PIPE  
PART NO. - 3014-H FILTER HANDLE



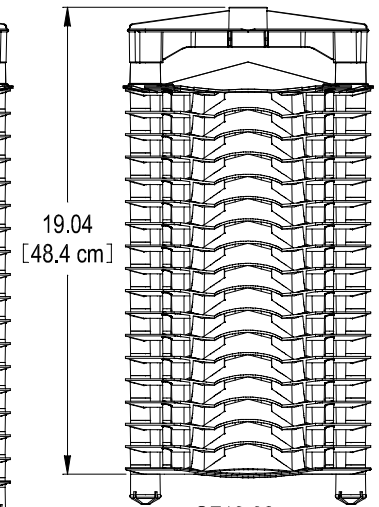
19.57  
[49.7 cm]

GF10-8  
16 FILTER PLATES  
92.93 FT (28.33 METERS)  
OF 1/8" (.32 CM) FILTRATION



19.57  
[49.7 cm]

GF10-16  
17 FILTER PLATES  
98.74 FT (30.10 METERS)  
OF 1/16" (.158 CM) FILTRATION



19.04  
[48.4 cm]

GF10-32  
17 FILTER PLATES  
98.74 FT (30.10 METERS)  
OF 1/32" (.08 CM) FILTRATION